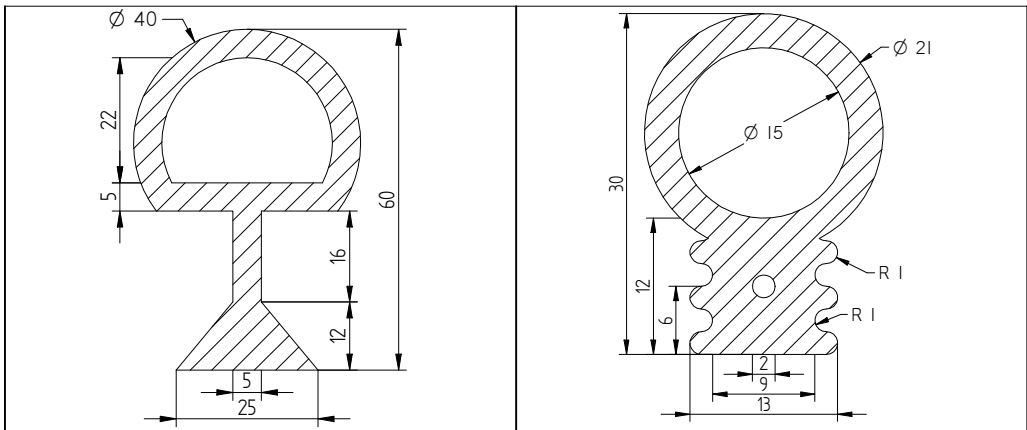
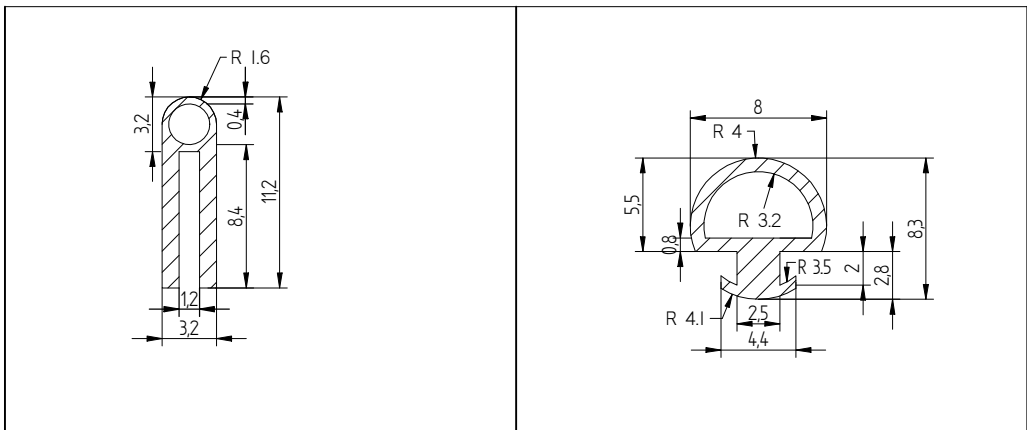


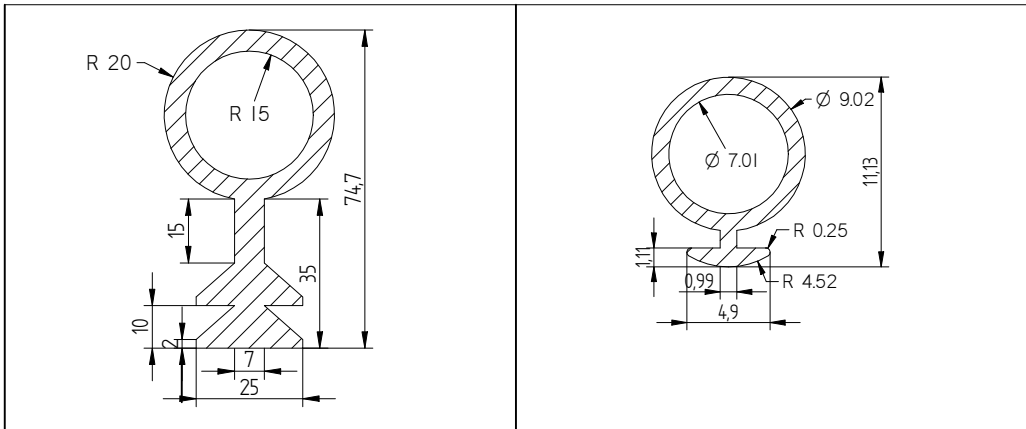
DIE NO : 2680/SB	MATERIAL REF : WS.70.1	HARDNESS : 70°SH	DIE NO : 1940/SB	MATERIAL REF : WS.50.1	HARDNESS : 50°SH
------------------	------------------------	------------------	------------------	------------------------	------------------



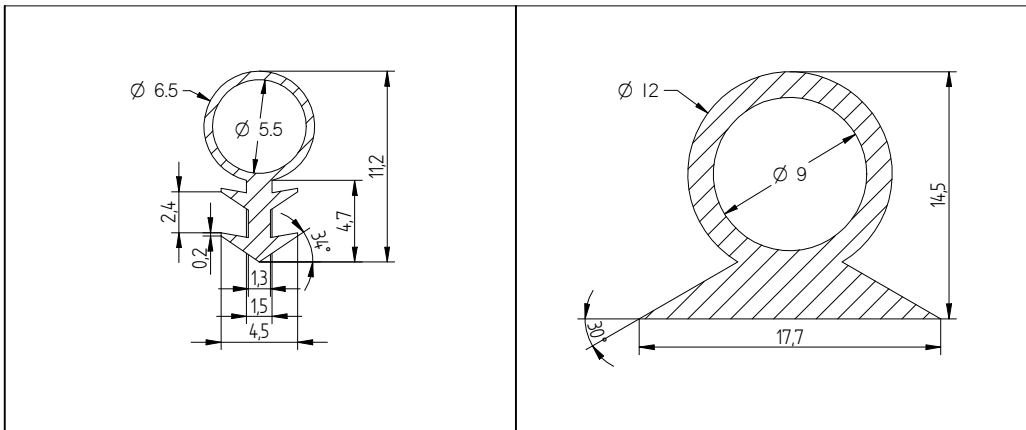
DIE NO : 2046/SB	MATERIAL REF : NGP.70	HARDNESS : 70°SH	DIE NO : 3446/SB	MATERIAL REF : WS.50.1	HARDNESS : 50°SH
------------------	-----------------------	------------------	------------------	------------------------	------------------



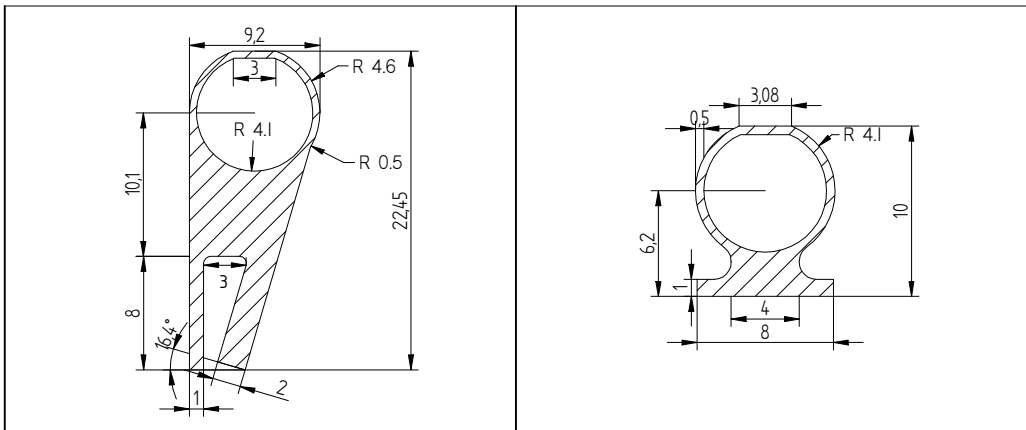
DIE NO : 3467/SB	MATERIAL REF : TBC	HARDNESS : TBC	DIE NO : 2080/SB	MATERIAL REF : WS.60.1	HARDNESS : 60°SH
------------------	--------------------	----------------	------------------	------------------------	------------------



DIE NO : 1971/SB	MATERIAL REF : NGP.70	HARDNESS : 70°SH	DIE NO : 2896/SB	MATERIAL REF : Flame Ref. 68sh	HARDNESS : 68°SH
------------------	-----------------------	------------------	------------------	--------------------------------	------------------



DIE NO : 1945/SB	MATERIAL REF : WS.55.1	HARDNESS : 55°SH	DIE NO : 1935/SB	MATERIAL REF : NGP.60	HARDNESS : 60°SH
------------------	------------------------	------------------	------------------	-----------------------	------------------



DIE NO : 3471/SB	MATERIAL REF : WS.50.1	HARDNESS : 50°SH	DIE NO : 3438/SB	MATERIAL REF : WS.50.1	HARDNESS : 50°SH
------------------	------------------------	------------------	------------------	------------------------	------------------