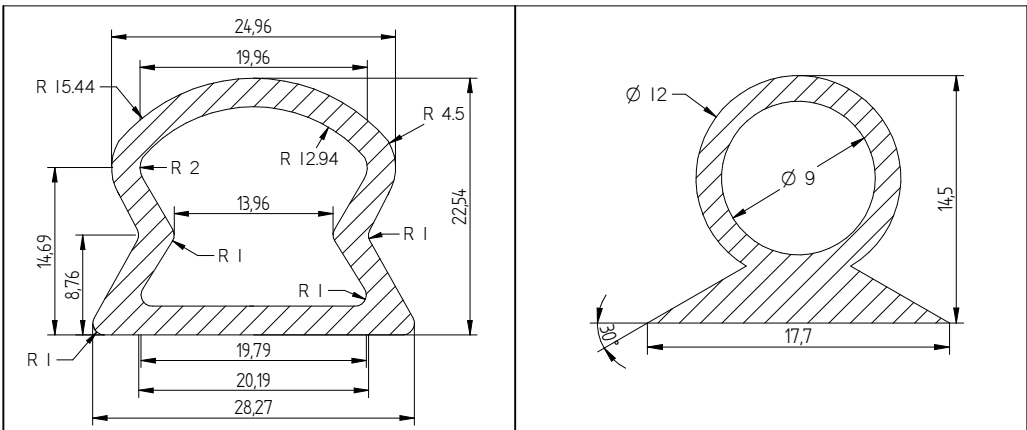
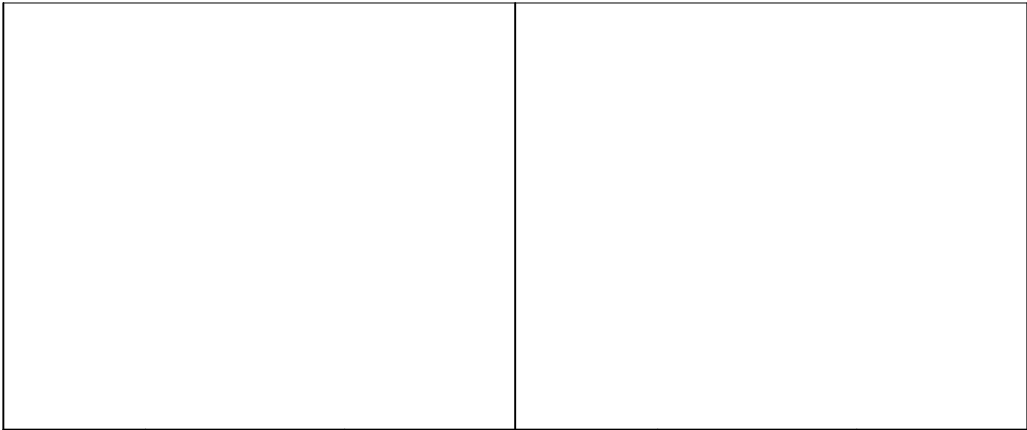


DIE NO : 1940/SB	MATERIAL REF : WS.50.1	HARDNESS : 50°SH	DIE NO : 2755/SB	MATERIAL REF : WS.70.1	HARDNESS : 70°SH
------------------	------------------------	------------------	------------------	------------------------	------------------



DIE NO : 2467/SB	MATERIAL REF : High Temp 300°c, 60sh	HARDNESS : 60°SH	DIE NO : 1935/SB	MATERIAL REF : NGP.60	HARDNESS : 60°SH
------------------	--------------------------------------	------------------	------------------	-----------------------	------------------



DIE NO :	MATERIAL REF :	HARDNESS : °SH	DIE NO :	MATERIAL REF :	HARDNESS : °SH
----------	----------------	----------------	----------	----------------	----------------